

1

2

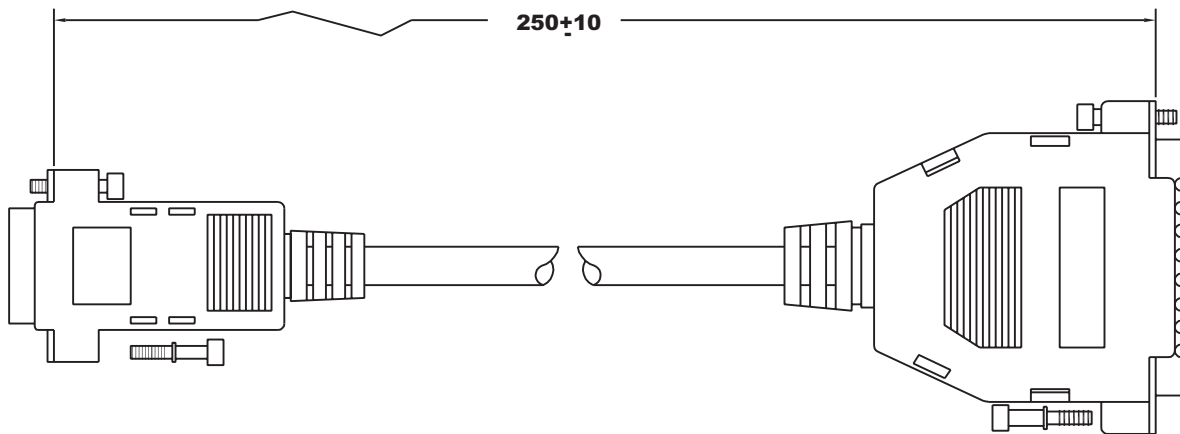
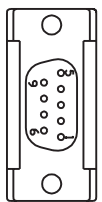
3

4

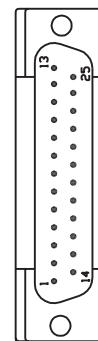
A

A

DB9 Female



DB25 Male



B

B

Material:

- 1.Cable:#28 9C+1+AL/MY (Beige PVC Jacket) O.D:5.0mm
- 2.Both Connectors with normal type
- 3.Screw(Metal):#4-40UNC Type
- 4.Assembly(Speed Hood) Type

Note:

- 1.Total Length: 250±10mm
- 2.Color:Beige
- 3.Assembly Type

Configuration:

DB9F	DB25M
1	8
2	3
3	2
4	20
5	7
6	6
7	4
8	5
9	22
Shield	Shield

C

C

Description

Name :
AK128-0.25-R
 DB9 Female-DB25 Male

D

D



THIS DRAWING IS UNPUBLISHED

© Copyright 2005 by Assmann Electronic Components All International Rights Reserved

This drawing is a controlled document for Assmann Electronics, Inc. It is subject to change and the controlling engineering organization should be contacted for the latest revision.

1

2

3

4